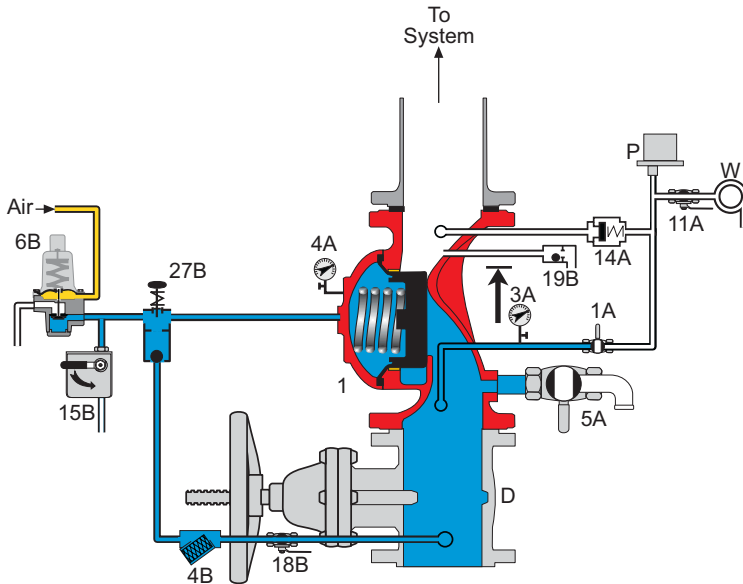


Model 400E 4M Pneumatically Controlled Deluge Valve with Manual Reset

Sequence of Operation

Closed Position



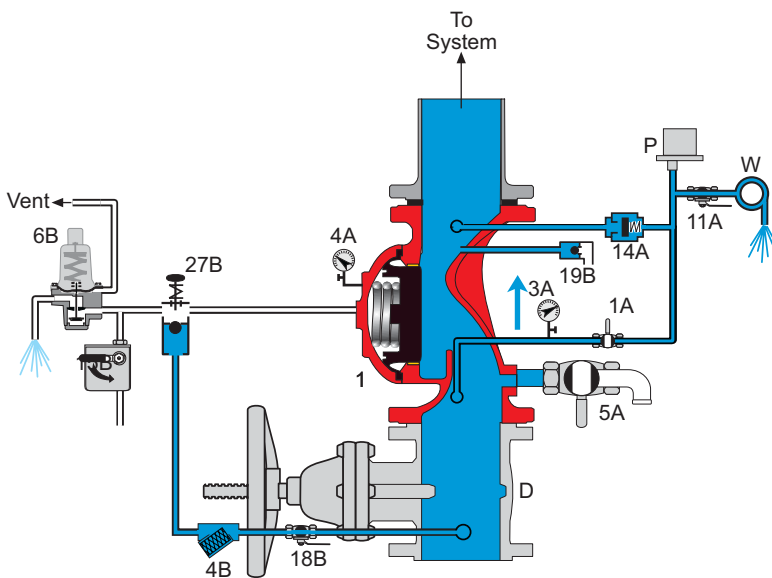
Legend:

- (1) Bermad 400E Valve
- (1A) Alarm Test Valve
- (3A) Pressure Gauge
- (4A) Pressure Gauge
- (5A) Drain Valve
- (11A) Alarm Block Valve
- (14A) Alarm Non-Return Valve
- (2B) Accelerator & Priming Restriction
- (4B) Priming Stainer
- (6B) PORV (Air Pressure Operated Relief Valve)
- (15B) Manual Emergency Release Assy.
- (18B) Priming Ball Valve
- (19B) Drip Check Device
- (27B) Manual Reset Device & Check Valve

Other System Items:

- (P) Waterflow Alarm Pressure Switch (Option)
- (W) Water Motor Alarm (Option)

Open / Operation



- Water under pressure
- Air Pressure
- Vented to atmosphere

Figure 1